



# REAREND ORDER SPEC SHEET

## REAREND SPECS

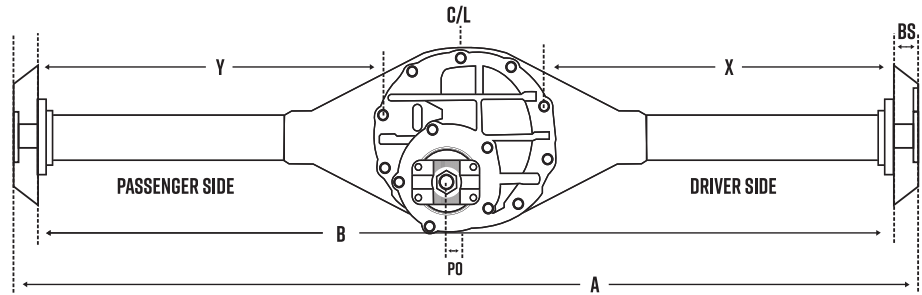
X- DRIVER SIDE  
 Y- PASS SIDE  
 A- OVERALL WIDTH  
 B-HOUSING WIDTH  
 BS- BRAKE SPACE  
 DR-DRUM/ROTOR THICKNESS  
 PO- PINION OFFSET

### YOUR MEASUREMENTS

X \_\_\_\_\_ PRINT HERE      Y \_\_\_\_\_ PRINT HERE      A \_\_\_\_\_ PRINT HERE      PO \_\_\_\_\_ PRINT HERE

B \_\_\_\_\_ PRINT HERE      BS \_\_\_\_\_ PRINT HERE      DR \_\_\_\_\_ PRINT HERE

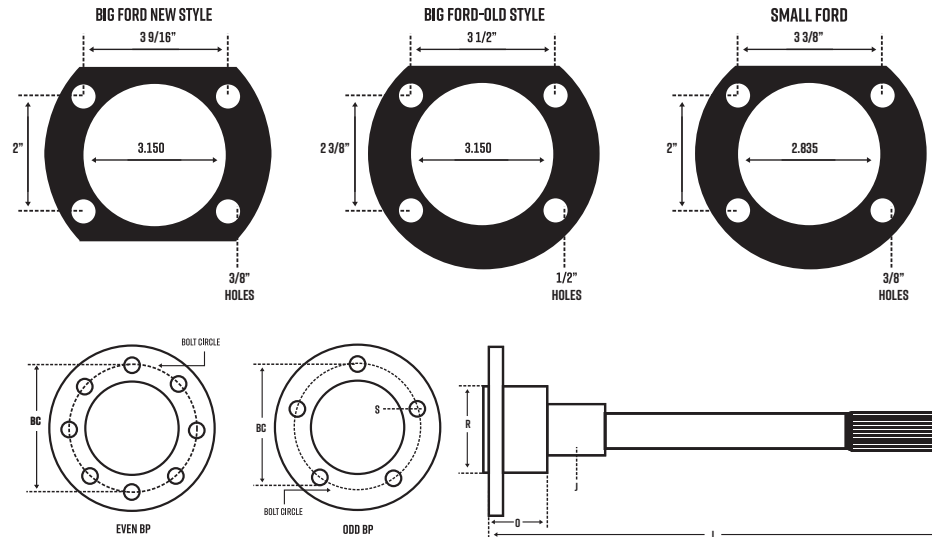
## REAREND TYPE 9-INCH



## HOUSING END TYPE USED

\_\_\_\_\_ PRINT HERE

## HOUSING END CHART



## AXLE SPECS

BC-BOLT CIRCLE  
 S- STUD SIZE  
 R- REGISTER DIAMETER  
 L- AXLE LENGTH  
 O- AXLE OFFSET  
 J- BEARING JOURNAL SIZE

### YOUR MEASUREMENTS

BC \_\_\_\_\_ PRINT HERE      S \_\_\_\_\_ PRINT HERE      R \_\_\_\_\_ PRINT HERE      SPLINE COUNT \_\_\_\_\_ PRINT HERE

L \_\_\_\_\_ PRINT HERE      O \_\_\_\_\_ PRINT HERE      J \_\_\_\_\_ PRINT HERE      FLANGE DIAMETER \_\_\_\_\_ PRINT HERE

\*NOTE: ALL MANUFACTURED PARTS BY CURRIE GENERATED AS A RESULT OF MEASUREMENTS PROVIDED ON THIS FORM, ARE THE SOLE RESPONSIBILITY AND LIABILITY OF THE PARTY THAT PROVIDED AND APPROVED THE INFORMATION. CURRIE ENTERPRISES WILL NOT BE HELD ACCOUNTABLE OR LIABLE FOR ANY MISINFORMATION PROVIDED ABOVE OR ANY DAMAGE DONE AS A RESULT.

PRINT \_\_\_\_\_ PRINT HERE      SIGN \_\_\_\_\_ PRINT HERE      DATE \_\_\_\_\_ PRINT HERE

PHONE# \_\_\_\_\_ PRINT HERE      EMAIL \_\_\_\_\_ PRINT HERE