

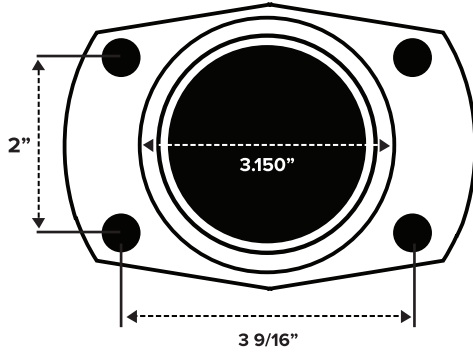


9-INCH AXLE ORDER FORM

FORD LARGE BEARING AXLE ORDER DETAILS

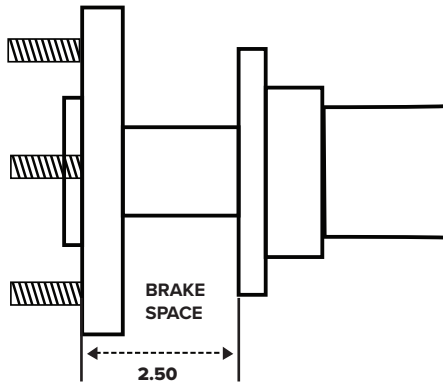
ORDER #

1



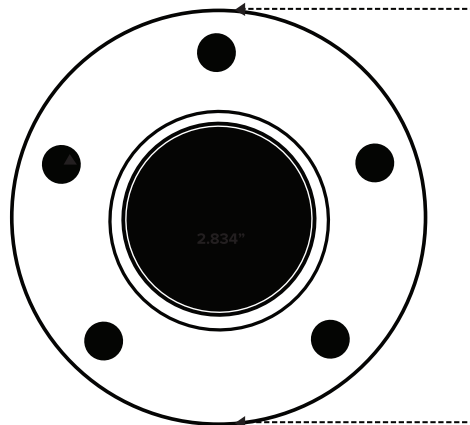
Verify the rearend has Late Model Large Bearing housing Ends.

2



Currie Large Bearing Axles have a 2.50-inch Brake Space. Measure your existing axle to verify they are the same.

3



AXLE FLANGE DIAMETER



9-INCH AXLE ORDER FORM

YOUR MEASUREMENTS

**note: all manufactured parts by Currie generated as a result of measurements provided on this form are the sole responsibility and liability of the party that provided and approved the information. Currie Enterprises will not be held accountable or liable for any misinformation provided above or any damage done as a result.*

A SELECT A WHEEL BOLT PATTERN AND FLANGE

BOLT PATTERN	FLANGE DIAMETER
<input type="checkbox"/> 5 x 4.5	<input type="checkbox"/> 5.9 in. or <input type="checkbox"/> 6.25 in.
<input type="checkbox"/> 5 x 4.75	<input type="checkbox"/> 5.9 in. or <input type="checkbox"/> 6.25 in.
<input type="checkbox"/> 5 x 5.0	<input type="checkbox"/> 6.25 in. or <input type="checkbox"/> 6.5 in.
<input type="checkbox"/> 5 x 5.5	<input type="checkbox"/> 6.25 in. or <input type="checkbox"/> 6.5 in.
<input type="checkbox"/> 6 x 5.5	<input type="checkbox"/> 6.25 in. or <input type="checkbox"/> 6.5 in.

B SELECT WHEEL STUDS

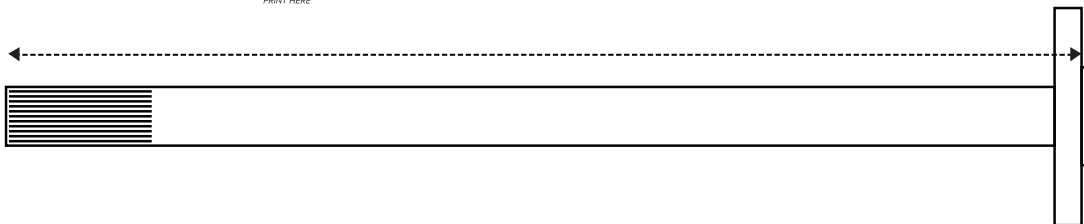
- 7/16 Press in Studs
- 1/2 x 2 Press in Studs
- 1/2 x 3 Screw in Studs
- 12mm x 1.5 Press in Studs
- 5/8 x 3 Screw in Studs

C Desired Axle Length

Measure the axle length from end of the splines to the face of the flange (see image below)

Axle 1 Length _____
PRINT HERE

Axle 2 Length _____
PRINT HERE



D Select Axle Spline

- 28 - Spline
- 31 - Spline
- 35 - Spline

FORM AGREEMENT

An authorized signature below indicates the approval of this agreement and the terms and conditions outlined.

PRINT _____
PRINT HERE

SIGN _____
SIGN HERE

DATE _____
PRINT HERE

PHONE# _____
PRINT HERE

EMAIL _____
PRINT HERE